

# LDM 4407

## Temperature Controlled Laser Diode Mount

### Product Features

Accepts all 5.6 mm, 9 mm, and flanged laser diode packages

0°C to +70°C temperature range

Quick dip switch configuration for 3 and 4 pin laser diodes

Mounts to optical table or rail for easy integration with any existing optical setup

Offers unobstructed access to the laser

Nitrogen purge port

The LDM-4407 is designed for users who run multiple laser diode experiments. It accepts virtually all small can-style laser diodes, while allowing quick installation and release of any package. Only minimal adjustments are necessary to set up different experiments. The unit's temperature control permits evaluation of laser diode performance over a wide temperature range. The slim, compact profile offers unobstructed access to the laser window, making the unit extremely user-friendly.

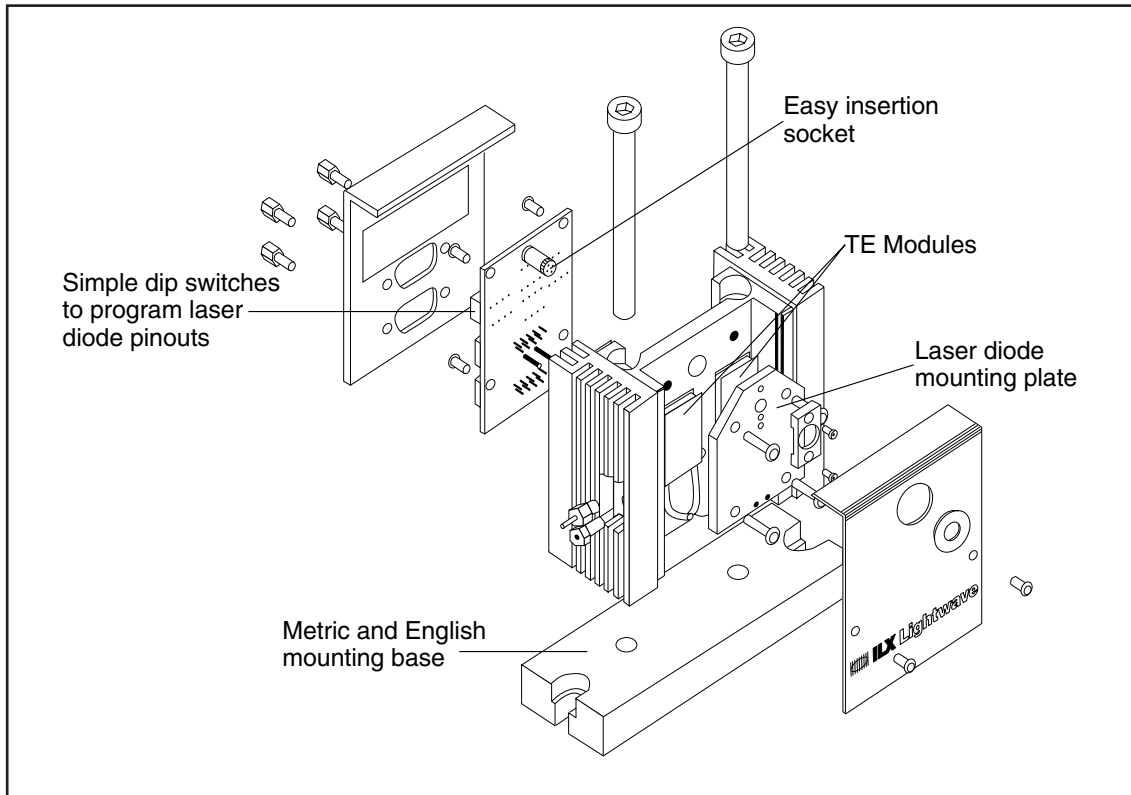


The most configurable  
laser diode mount available.

 **ILX** Lightwave  
Laser Diode Instrumentation & Test Systems

# LDM 4407

## Temperature Controlled Laser Diode Mount



## Specifications

### INPUT CONNECTORS

Two 9-pin D-subminiature: (1) case temperature control  
(2) laser diode current control

### LASER DIODE PACKAGE

Styles Supported: 5.6 mm and 9 mm cans  
Position Repeatability: <200  $\mu$ m  
Angular Repeatability: <10 mrad  
Optical Beam Height: 80 mm

### CASE TEMPERATURE CONTROL

Range-Continuous Operation: 0°C–70°C  
Sensor Type: 10 k $\Omega$  Thermistor

### TEMPERATURE RESPONSE

Time (0°C to 25°C):<sup>2</sup> 120 sec  
TE Module Ratings:  $Q_{max} = 28$  W (2 @ 14 W each)  
 $\Delta T_{max} = 70^\circ$ C  
 $I_{max} = 6.0$  A  
 $V_{max} = 8.0$  V

### GENERAL

Size (HxWxD): 36 mm x 110 mm x 95 mm  
1.4" x 4.3" x 3.7"  
Weight: 0.56 kg (1.2 lbs)

### NOTES

- 1 Air cooled on an optical table at 25°C ambient.
- 2 Stabilized to within  $\pm 0.2^\circ$ C of the setpoint using a 4 A driver.

### ORDERING INFORMATION

LDM-4407	Temperature Controlled Laser Diode Mount
CC-305S	Current Source/Laser Diode Mount Interconnect Cable
CC-505S	TE Controller/Laser Diode Mount Interconnect Cable

In keeping with our commitment to continuous improvement, ILX Lightwave reserves the right to change specifications without notification and without liability for such changes.

 **ILX Lightwave**  
Laser Diode Instrumentation & Test Systems  
P.O. Box 6310, Bozeman, MT 59771 FAX: 406.586.9405

[www.ilxlightwave.com](http://www.ilxlightwave.com)

 **光貿易株式会社**  
〒113-0034  
東京都文京区湯島 3-13-8 湯島不二ビル 301号  
TEL: 03-3832-3117 FAX: 03-3832-3118  
e-mail: [contact@hikari-trading.com](mailto:contact@hikari-trading.com)  
<http://www.hikari-trading.com/>

