

# EXS210028-02

EXS1300-040-05-0801100

SLED TOSA 1300nm

**Revision:** 2.0  
**Date:** 03-01-2012  
**Confidentiality:** **None**

**Prepared by :** Raffaele Rezzonico  
(Product Support Technician)

**Checked by :** Chris Armistead  
(Engineering Manager)

**Approved by :** Philippe Crépellière  
(Quality Manager)

**Authorized by :** Marcus Duelk  
(CTO)

## **CONTENTS**

<b>1.</b>	<b>SCOPE .....</b>	<b>3</b>
	1.1 PURPOSE.....	3
	1.2 RESPONSIBILITY .....	3
<b>2.</b>	<b>REFERENCE DOCUMENT .....</b>	<b>3</b>
<b>3.</b>	<b>ELECTRO-OPTICAL PERFORMANCE (<math>T_{SLED} = 25^{\circ}C</math>).....</b>	<b>3</b>
<b>4.</b>	<b>ABSOLUTE MAXIMUM RATINGS.....</b>	<b>3</b>
<b>5.</b>	<b>SCREENING (EXS210028-02) .....</b>	<b>4</b>
<b>6.</b>	<b>PACKAGE DIMENSIONS [MM] .....</b>	<b>4</b>
<b>7.</b>	<b>FIBRE AND CONNECTOR.....</b>	<b>5</b>
<b>8.</b>	<b>IMPORTANT NOTES .....</b>	<b>5</b>
<b>9.</b>	<b>ORDERING INFORMATION.....</b>	<b>5</b>
	9.1 TECHNICAL DESCRIPTION.....	5
<b>10.</b>	<b>REVISION HISTORY .....</b>	<b>6</b>

## 1. SCOPE

### 1.1 PURPOSE

The purpose of this document is to specify the electro-optical performance and dimensions of superluminescent light emitting diode (SLED) TOSA.

### 1.2 RESPONSIBILITY

EXALOS is responsible for establishing, implementing and maintaining this procedure. The Quality representative shall ensure that a timely Engineering Change Notice (ECN) is issued in accordance with EXALOS procedure for any changes.

## 2. REFERENCE DOCUMENT

- EXS-WI-0001 Visual Inspection Criteria SLED Chip on Submount Procedure
- MIL STD 883 C method.
- Bellcore GR-468-CORE

## 3. ELECTRO-OPTICAL PERFORMANCE ( $T_{SLED} = 25^{\circ}C$ )

Parameter	Symbol	Min	Typ	Max	Unit
Operating Current	$I_{op}$	0		200	mA
Power in SMF	$P_o$	1.5	3		mW
Centre Wavelength	$\lambda_c$	1290	1310	1330	nm
3dB Bandwidth		35	40		nm
Spectral ripple [RB=0.1nm]			0.1	0.3	dB

## 4. ABSOLUTE MAXIMUM RATINGS

Stresses beyond the absolute maximum ratings may cause permanent damage to the device.  
Exposure to absolute maximum rating conditions for extended periods may affect device reliability.

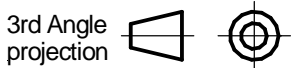
Parameter	Symbol	Cond.	Min	Max	Unit
Forward current	$I_F$			250	mA
Reverse voltage	$V_R$			-2	V
Forward voltage	$V_F$	$I_{F,max}$		2	V
Storage temperature	$T_{stg}$		-40	85	$^{\circ}C$
Operating temperature	$T_{op}$	$I_{F,max}$	-20	65	$^{\circ}C$
Lead soldering temperature				260	$^{\circ}C$
ESD		human b.m		500	V

**5. SCREENING (EXS210028-02)**

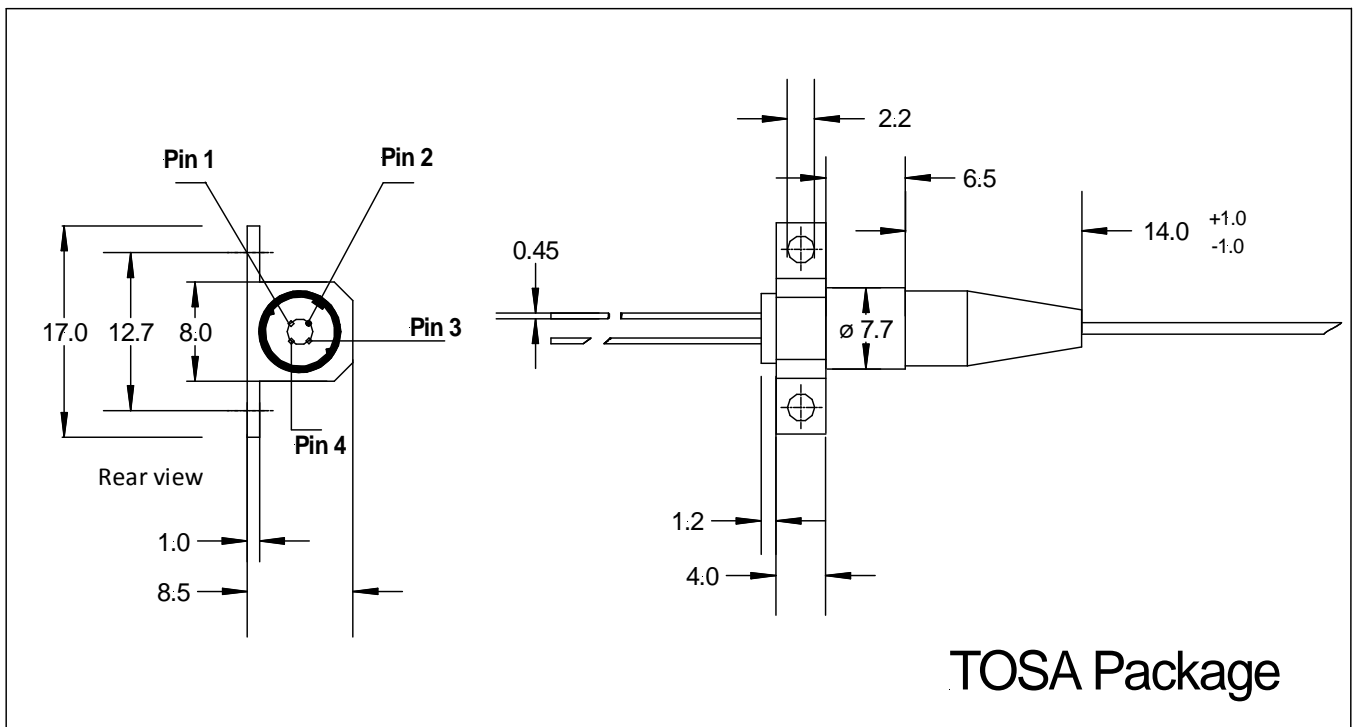
The manufactured 1300nm SLED Module is required to meet all operating conditions specified in Table 4.1, Electro-Optical Performance Specifications after being subjected to the following screening tests.

Test Item	Test Conditions	Reference	Sample
Hermetic Seal (At TO-CAN Level)	Fine leak :	MIL-STD-883, Method 1014 Condition A	100 %
	Max. leak rate $5 \times 10^{-8}$ atm.cc/sec Gross leak :	MIL-STD-883, Method 1014 Condition C	100 %
Temperature Cycling	-40°C to +85°C, ramp rate $\geq 5^\circ$ C/min 20 cycles	MIL-STD-883, Method 1010	100%

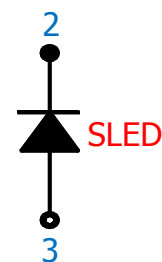
**6. PACKAGE DIMENSIONS [mm]**



**Tolerances:** .X  $\pm 0.25$  mm  
.XX  $\pm 0.05$  mm



EXS210028-02	
Pin	Function
1	NC
2	SLED CATHODE (-), CASE
3	SLED ANODE (+)
4	NC



## 7. FIBRE AND CONNECTOR

Part	Description
SM Fibre	SMF-28, 9/125 $\mu\text{m}$
Tight buffer secondary coating	900 $\mu\text{m}$
Fibre pigtail length [min]	1 m
Optical connector	FC/APC (Narrow Key 2.0mm)

## 8. IMPORTANT NOTES

1. Avoid electrostatic discharges, which may destroy the SLED.
2. Never use the bare die without heat sinking.
3. Adequate eye protection against laser radiation should be used while handling and operating the module.
4. EXALOS declines any responsibility if the device is used in applications where human life may be endangered.
5. Back reflections may influence the output power and spectral characteristics of the SLED. The use of optical isolators and/or angled connectors is recommended. Back reflections of less than -30dB are recommended.
6. The measured optical spectrum of the 1300nm shows strong absorption lines in the wavelength range from 1340nm to 1460nm which are believed to origin from absorptions in the atmosphere.

## 9. ORDERING INFORMATION

Please use the following **part number** to order product from EXALOS:

**E X S 2 1 0 0 2 8 - 0 2**

### 9.1 TECHNICAL DESCRIPTION

