

Passive Optical Network (PON) Splitter > 1XN PLC

Features

- 1xN splitter based on planar lightwave circuit PLC technology
- Divides single optical input into multiple optical outputs
- Superior optical performance such as low insertion loss and low polarization dependent loss
- Wide operating wavelength and wide operating temperature
- High reliability and stability, Telecordia GR-1221/1209 compliant
- Compact design, fanout and connectors available
- Premium specifications available upon request

Applications

- FTTX Deployments
- PON Networks
- CATV Links
- Optical Signal Distribution

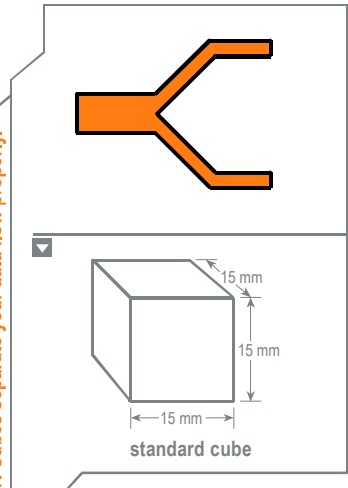
Specifications

Parameter		1x4	1x8	1x16	1x32	1x64
Ports		1x4	1x8	1x16	1x32	1x64
Operating Wavelength		1260 ~ 1625 nm				
Insertion Loss (at 23 °C)	Max.	7.4 dB	10.8 dB	14.0 dB	17.4 dB	20.4 dB
Insertion Loss (-40~85 °C) **	Max.	7.7 dB	11.1 dB	14.3 dB	17.7 dB	20.7 dB
Channel Uniformity	Max.	0.8 dB	1.0 dB	1.3 dB	1.5 dB	1.8 dB
Polarization Dependent Loss	Max.	0.2 dB	0.2 dB	0.3 dB	0.3 dB	0.4 dB
Return Loss		>55 dB				
Directivity		>55 dB				
Max. optical Power		300 mW				
Operating Temperature		-40~85 °C				
Storage Temperature		-40~85 °C				
Package Dimensions (TxWxL)	mm	4x4x40	4x4x40	4x5x45	4x7x55	4x12x60

* Valid over full temperature range and all states of polarization but without connectors losses.

** Premium spec available upon request

Our SPLITTER-Cubes separate your data flow properly.

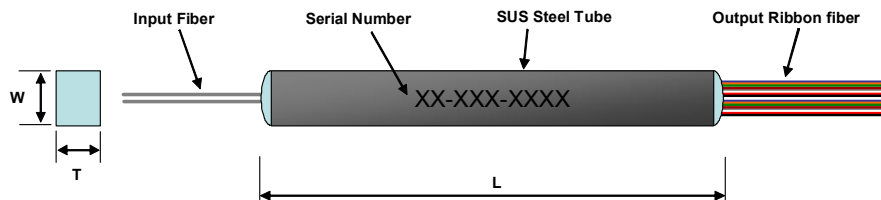


Passive Optical Network (PON) Splitter > 1XN PLC

Ordering Information

Channel Numbers:	Input Fiber Type:	Input Fiber Length:	Output Fiber Type:	Output Fiber Length:	Input Connector Type:	Output Connector Type:
1: 1x4	1: 250µm	1: 0.5m	1: Ribbon	Without Fanout:	0: None	0: None
2: 1x8	2: 900µm	2: 1.0m	2: Ribbon+fanout+900µm	10: 0.5m ribbon	1: SC/UPC	1: SC/UPC
3: 1x16	9: customized	3: 1.5m	9: customized	20: 1.0m ribbon	2: LC/UPC	2: LC/UPC
4: 1x32		4: 2.0m		30: 1.5m ribbon	3: FC/UPC	3: FC/UPC
5: 1x64		9: customized		40: 2.0m ribbon	4: SC/APC	4: SC/APC
6: 2x4				With Fanout:	5: LC/APC	5: LC/APC
7: 2x8				11: 0.5m ribbon / 0.5m 900µm	6: FC/APC	6: FC/APC
8: 2x16				12: 0.5m ribbon / 1.0m 900µm	9: customized	9: customized
9: 2x32				21: 1.0m ribbon / 0.5m 900µm		
				22: 1.0m ribbon / 1.0m 900µm		
				99: customized		

Dimensions



Corporate Office:

Cube Optics AG
Robert-Koch-Strasse 30
55129 Mainz
Germany

Fon: +49-6131-69851-0
Fax: +49-6131-69851-79
e.mail: info@cubeoptics.com

www.cubeoptics.com

Cube Optics AG